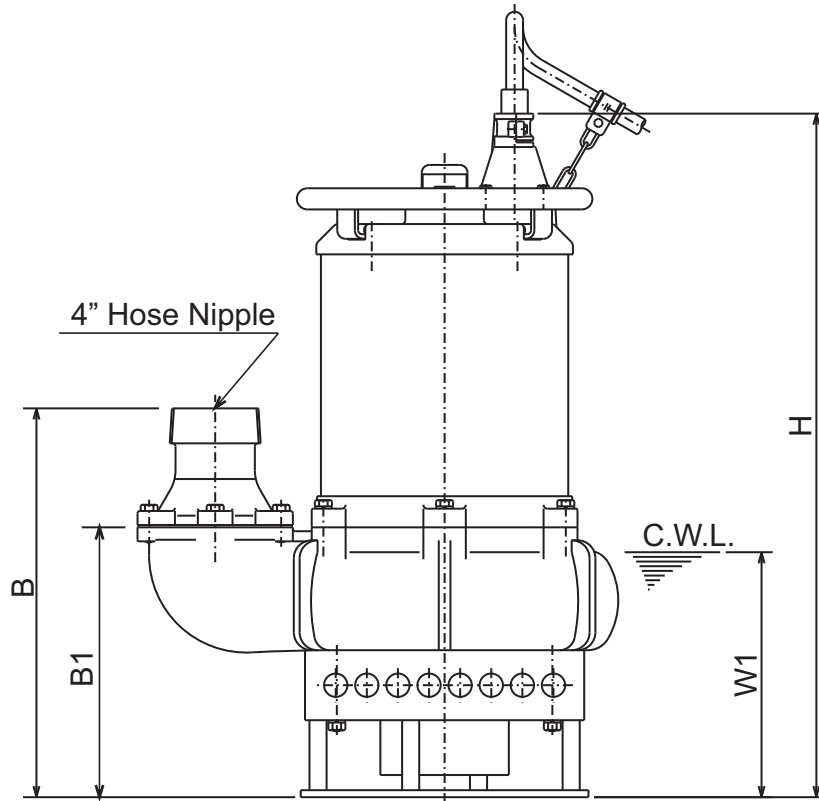
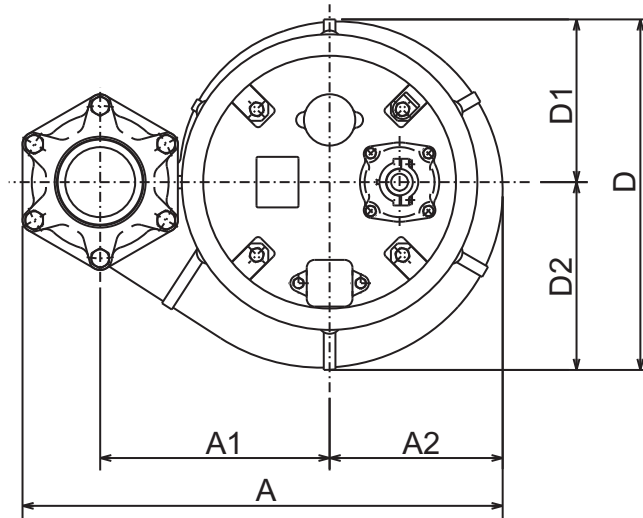




GPN - SERIES
SUBMERSIBLE AGITATOR PUMPS

DIMENSIONS

GPN411-61
GPN415-61



C.W.L. : Continuous running Water Level

DIMENSIONS:USCS (Inch)

Model	HP	NOM. SIZE	Pump & Motor									C.W.L.	*Wt.
			A	A1	A2	B	B1	D	D1	D2	H	W1	(lbs.)
GPN411-61	15	4"	24 5/16	11 5/8	8 3/4	19 11/16	13 11/16	17 3/4	8 1/4	9 2/4	34 5/8	12 3/8	478
GPN415-61	20	4"	24 5/16	11 5/8	8 3/4	19 11/16	13 11/16	17 3/4	8 1/4	9 2/4	34 5/8	12 3/8	485

DIMENSIONS:METRIC (mm)

Model	kW	NOM. SIZE	Pump & Motor									C.W.L.	*Wt.
			A	A1	A2	B	B1	D	D1	D2	H	W1	(kg)
GPN411-61	11	100	617	295	223	500	347	451	209	242	879	315	217
GPN415-61	15	100	617	295	223	500	347	451	209	242	879	315	220

*Excluding Cable

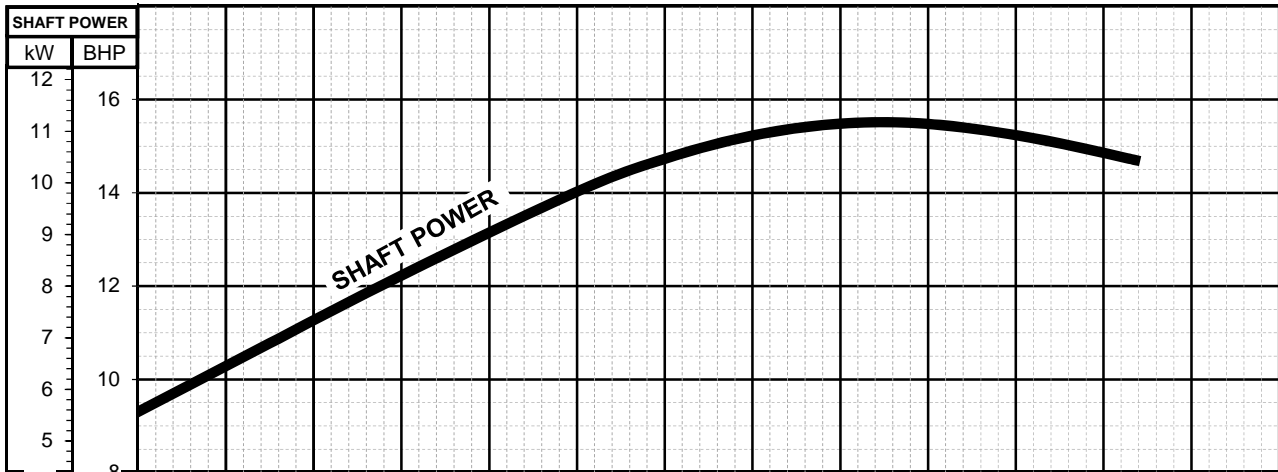
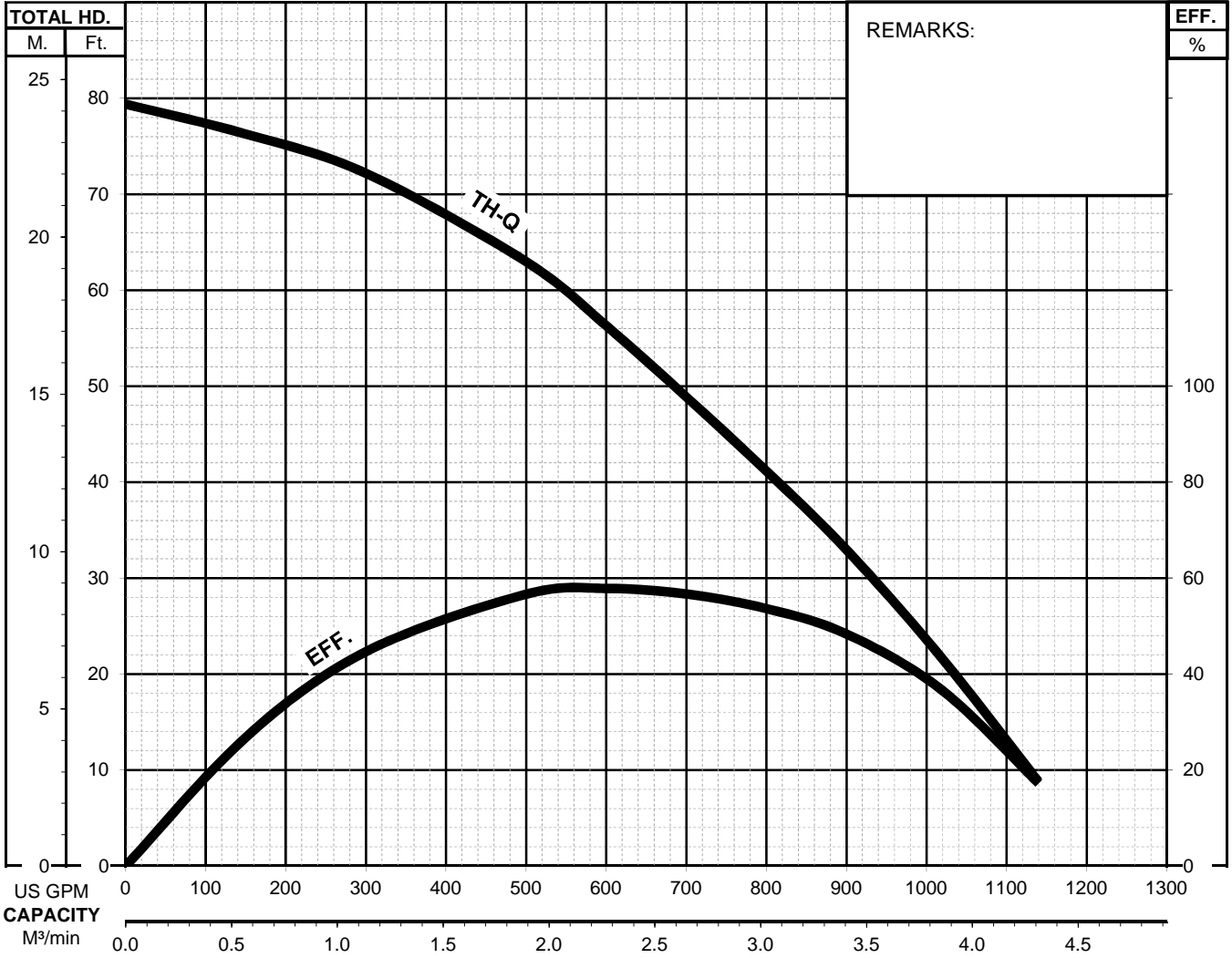


GPN - SERIES

SUBMERSIBLE AGITATOR PUMPS

PERFORMANCE
CURVE

MODEL	BORE	HP	KW	RPM	SOLIDS DIA.	LIQUID	SG.	VISCOSITY	TEMP.
GPN415-61	4"/100mm	20.0	15.0	1735	1.18"/30mm	Water	1.0	1.123cSt.	60°F
PUMP TYPE	PHASE	VOLTAGE	AMPERAGE	HZ	STARTING METHOD	INS. CLASS			
Agitator Pump	3	208-220/460/575	55-52/24/22	60	Direct On Line	B			
CURVE No.	DATE	PHASE	VOLTAGE	AMPERAGE	HZ	STARTING METHOD	INS. CLASS		
-	-	-	-	-	-	-	-		

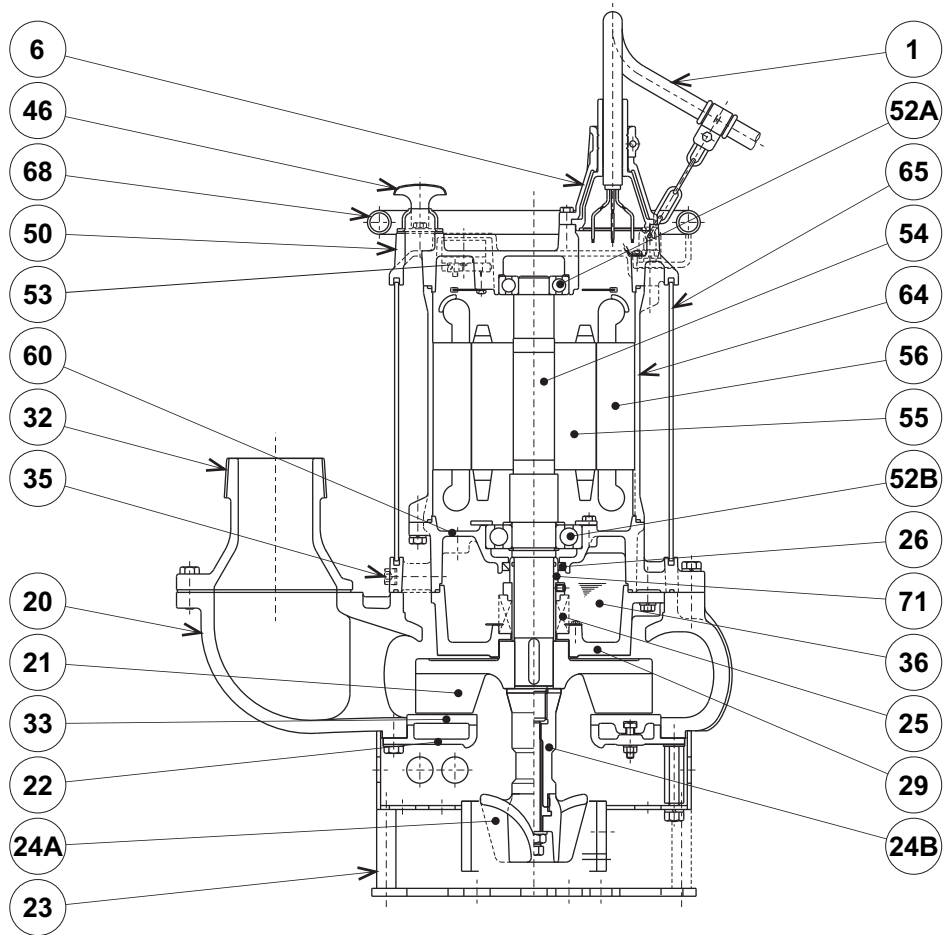




TSURUMI PUMP

**GPN - SERIES
SUBMERSIBLE AGITATOR PUMPS**

SECTIONAL VIEW



**GPN411-61
GPN415-61**

ITEM#	DESCRIPTION	MAIN MATERIAL / NOTE	RELATED ASTM, AISI CODE	RELATED EN CODE	Q'TY
1	Power Cable (GPN411-61)	Chloroprene Sheath AWG8/4-50ft			1
	Power Cable (GPN415-61)	Chloroprene Sheath AWG6/4-50ft			1
6	Stuffing Box	Cast Iron	A48M Class30B	EN 1561 GJL-200	1
20	Pump Casing	Cast Iron	A48M Class30B	EN 1561 GJL-200	1
21	Impeller	High Chrome Cast Iron	A532 Class III Type A	DIN 1695 G-X260Cr27	1
22	Suction Cover	Cast Iron	A48M Class30B	EN 1561 GJL-200	1
23	Strainer Stand	Steel (Cold Rolled) + Steel Pipe	A109/A1008 + A53 Type F	EN 10130 + DIN 1615 St33	1
24A	Agitator	High Chrome Cast Iron	A532 Class III Type A	DIN 1695 G-X260Cr27	1
24B	Clutch	Malleable Cast Iron (Hardened)	A47M Grade 22010	EN 1562 GJMB-350-10	1
25	Mechanical Seal	Silicon Carbide / NH-50			1
26	Oil Seal	Nitrile Butadiene Rubber / TC-55729			1
29	Oil Casing	Cast Iron	A48M Class30B	EN 1561 GJL-200	1
32	Discharge Connection	Cast Iron / NPT 4"	A48M Class30B	EN 1561 GJL-200	1
33	Suction Plate	High Chrome Cast Iron	A532 Class III Type A	DIN 1695 G-X260Cr27	1
35	Oil Plug	Stainless Steel	S 30400	1.4301	1
36	Lubricant	Turbine Oil ISO VG32 or SAE10W/20W			
46	Air Valve	Steel (Cold Rolled)	A109/A1008	EN 10130	1
50	Motor Head Cover	Cast Iron	A48M Class25B	EN 1561 GJL-150	1
52A	Upper Bearing	#6307ZZC3			1
52B	Lower Bearing	#6310ZZC3			1
53	Motor Protector				1
54	Shaft	Chrome-Molybden Alloy H-Steel	AISI 4135H	ISO 683-1 34CrMo4	1
55	Rotor				1
56	Stator				1
60	Bearing Housing	Cast Iron	A48M Class25B	EN 1561 GJL-150	1
64	Motor Housing	Cast Iron	A48M Class25B	EN 1561 GJL-150	1
65	Outer Cover	Steel	A283 Grade D	EN 10025 S275	1
68	Handle	Steel Pipe + Steel	A53 Type F + A283 Grade D	DIN 1615 St33 + EN 10025 S275	1
71	Shaft Sleeve	Stainless Steel	S 30400	1.4301	1

PARTS LIST		AGITATOR PUMP				6/1/2018
ITEM	PART No.	DESCRIPTION	QTY	SIZE	MATERIAL	NOTES
1	141-004-33	Hex.Nut	1	M6	S35C	
2	010-120-18	Cable Clip	1	No.2-1	SPC	
3	010-122-10	Cable Clip Rubber	1	No.2	NBR	
4	140-032-37	Hex.Bolt	1	M6x15	SWRM	
5	095-131-18	Chain	1	4mm(3L)	SS	
6	011-101-19	Shackle	1	6mm	SS	
7	140-081-15	Hex.Bolt	4	M10x50	SUS304	
8	142-164-19	Spring Washer	4	M10	SUS304	
9	142-128-24	Plain Washer	1	M10	SPC	
10	070-103-10	L-Shape Fitting	1	KT-55	SPC	
11	070-107-18	Cable Clamp	1		FC	included in item #12 Cable Ass'y
12	001-519-39	Cabletyre Cable Set (50') 60Hz(USA)	1	2PNCTF4Cx14mm2	KR-3	
13	140-055-10	Hex.Bolt	4	M8x25	SUS304	
14	006-127-15	Stuffing Box 208/220V-60Hz(USA)	1	No.3	FC	included in item #12 Cable Ass'y
14	006-127-15	Stuffing Box 460/575V-60Hz(USA)	1	No.3	FC	included in item #12 Cable Ass'y
15	140-035-14	Hex.Bolt	2	M6x20	SUS304	included in item #12 Cable Ass'y
16	008-145-15	Mould Cover 60Hz	1	KR3-7	CR	
17	140-052-17	Hex.Bolt	2	M8x16	SUS304	
18	046-000-05	Air Release Valve	1	GSZ/NKZ/B	SPCC	
19	203-017-18	Ball	1	d28	NBR	
20	121-151-18	Packing	1	P.C.80xd50	CR	*
21	068-172-17	Handle	1	NKZ2-11KW	SGP+SPC	
22	121-343-19	Packing	4	d9.5xd16x5t	NBR	*
23	142-128-11	Plain Washer	4	M10	SUS304	
24	143-041-12	Pan Screw	1	M6x8	SWRM	
25	009-107-18	Terminal 208/220V-60Hz	1	R-14-6	CU	
25	009-107-18	Terminal 460/575V-60Hz	1	R-14-6	CU	included in item #12 Cable Ass'y
26	009-101-12	Terminal(C/W Screw)	3	d12x(d6.6xd6.6)x25l	C3604	
27	009-128-15	Terminal 208/220V-60Hz	3	E (middle)	CU	
27	009-128-15	Terminal 460/575V-60Hz	3	E (middle)	CU	
28	002-129-15	Heat Shrink Tube (Sold per meter)	m	EVA(d14x1t)	(Vm)	
29	002-132-11	Heat Shrink Tube (Sold per meter)	m	A4(d17x0.27t)	(Vm)	
30	009-128-15	Terminal 208/220V-60Hz	3	E (middle)	CU	
30	009-128-15	Terminal 460/575V-60Hz	3	E (middle)	CU	
31	050-368-17	Motor Bracket	1		FC	
32	122-250-11	O-Ring	1	230xd3.8	NBR	*
33	142-199-13	Wave Washer	1	6208/6307	SK5	
34	052-110-18	Bearing	1	6307ZZC3		
35	058-125-14	Lead Wire Protection Plate	1	d110xd190x1.2t	SPC+NBR	
36	142-162-33	Spring Washer	2	M6	SWRH	

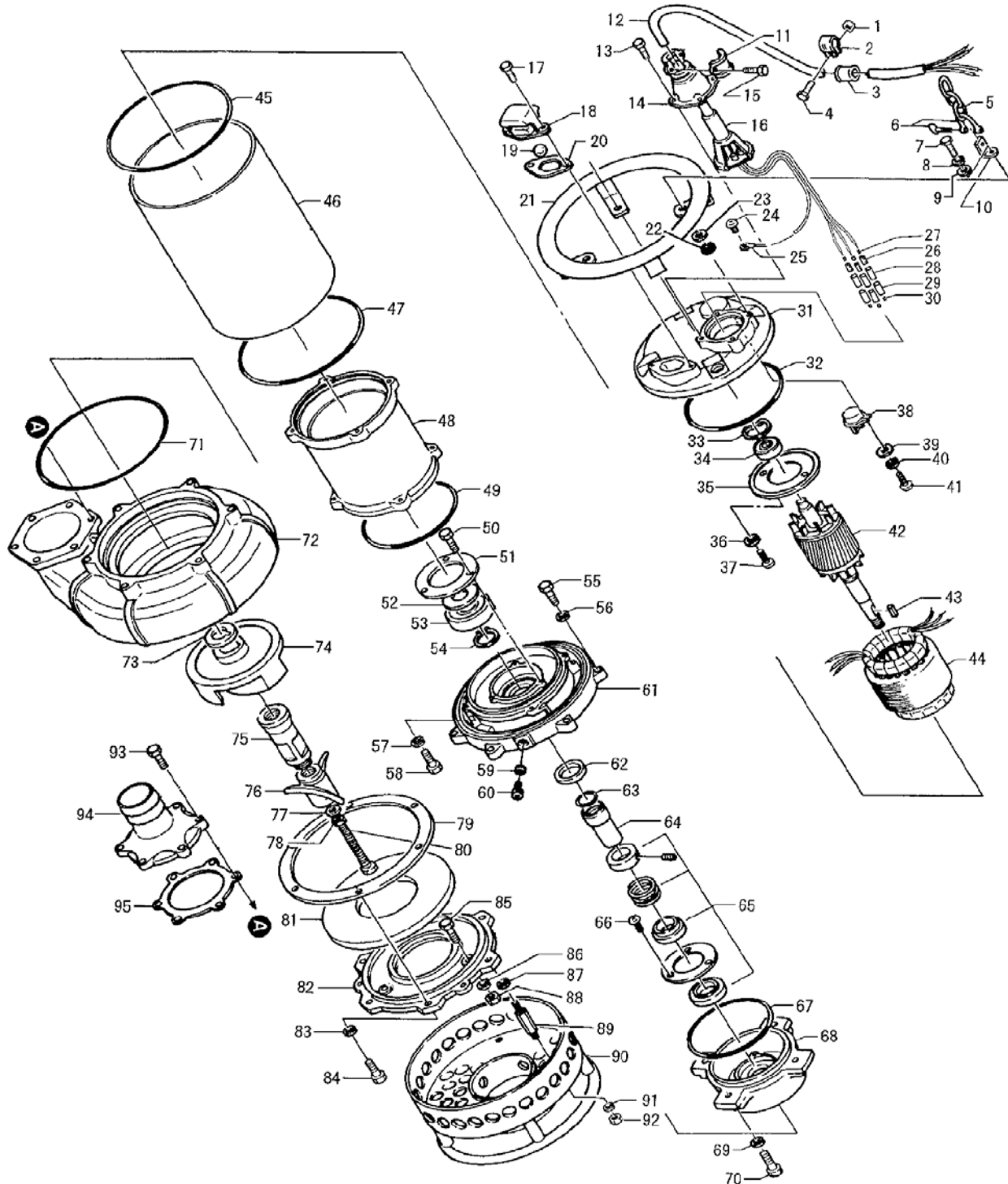
PARTS LIST		AGITATOR PUMP				6/1/2018
ITEM	PART No.	DESCRIPTION	QTY	SIZE	MATERIAL	NOTES
37	143-042-13	Pan Screw	2	M6x10	SWRM	
38	053-317-10	Motor Protector 208/220V-60Hz(USA)	1	KA315-JTAL00	(B.C)	
38	053-000-16	Motor Protector 460V-60Hz(USA)	1	KA314-HKBL00	(B.C)	
38	053-192-17	Motor Protector 575V-60Hz(USA)	1	KA314-HKXL00	(B.C)	
39	142-124-20	Plain Washer	2	M4	SPC	
40	142-160-31	Spring Washer	2	M4	SWRH	
41	143-017-19	Pan Screw	2	M4x14	SWRM	
42	055-571-10	Rotor	1Set			
43	147-011-15	Impeller Key	1	12x8x40	SUS420	
44	056-496-13	Stator 208/220V-60Hz(USA)	1Set			
44	056-005-08	Stator 460V-60Hz(USA)	1Set			
44	056-005-09	Stator 575V-60Hz(USA)	1Set			
45	122-161-14	O-Ring	1	G-300(299.3xd5.7)	NBR	*
46	065-159-19	Outer Cover	1	NKZ2-11KW	SS	
47	122-161-14	O-Ring	1	G-300(299.3xd5.7)	NBR	*
48	064-302-16	Motor Frame	1		FC	
49	122-250-11	O-Ring	1	230xd3.8	NBR	*
50	140-052-33	Hex.Bolt	3	M8x16	SWRM	
51	062-158-19	Bearing Fixing Plate	1	d95xd144x4.5t(6Hole)	SPCC	
52	061-142-17	Bearing Collar	1	d50xd70x3t	SPC	
53	052-113-11	Bearing	1	6310ZZC3		
54	146-029-13	Retaining Ring	1	C50	SK5	
55	140-099-16	Hex.Bolt	6	M12x40	SUS304	
56	142-165-10	Spring Washer	6	M12	SUS304	
57	142-164-19	Spring Washer	4	M10	SUS304	
58	140-079-10	Hex.Bolt	4	M10x40	SUS304	
59	121-247-12	Packing	1	d12.3xd18x2t	PE	*
60	035-113-18	Oil Plug	1	M12x14	SUS304	
61	060-242-15	Bearing Housing	1		FC	
62	026-156-15	Oil Seal	1	TC-55729	NBR	
63	122-120-11	O-Ring	1	G-45(44.4xd3.1)	NBR	*
64	071-134-20	Shaft Sleeve	1	GPN2-100	SUS304	
65	025-210-15	Mechanical Seal	1	NH-50	SiC	
66	143-070-10	Pan Screw	3	M5x6	SWRM	
67	122-251-12	O-Ring	1	205xd3.8	NBR	*
68	029-195-28	Oil Casing	1	GPN2-100(Mech.Seal)	FC	
69	142-164-19	Spring Washer	4	M10	SUS304	
70	140-076-17	Hex.Bolt	4	M10x30	SUS304	
71	122-295-18	O-Ring	1	310xd3.8	NBR	*
72	020-543-15	Pump Casing	1	GPN2-100	FC	

PARTS LIST		AGITATOR PUMP				6/1/2018
ITEM	PART No.	DESCRIPTION	QTY	SIZE	MATERIAL	NOTES
73	040-123-17	Impeller Shim		d45.2xd59x0.3t	SUS304	
74	021G0610	Impeller (60Hz)	1	GPN415-61	HiCrFC	
75	024-131-18	Connection Rod	1	GPN2-80	FCMB	
76	024-120-14	Agitator	1	GPN-80	HiCrFC	
77	142-130-16	Plain Washer	1	M16	SUS304	
78	141-008-40	Hex.Nut	1	M16(H=10)	SUS304	
79	120-105-14	Packing (S.Cover)		d291xd348x0.5t	PE	
80	140-139-19	Hex.Bolt	1	M16x143(B=19)	SUS304	
81	033-114-13	Suction Plate	1	GPN-80/100	HiCrFC	
82	022-467-23	Suction Cover	1	GPN2-100	FC	
83	142-129-25	Plain Washer	3	M12	SPC	
84	140-097-14	Hex.Bolt	3	M12x30	SUS304	
85	140-001-08	Square Bolt	3	M8x35	SUS304	
86	142-163-18	Spring Washer	3	M8	SUS304	
87	142-129-25	Plain Washer	3	M12	SPC	
88	141-005-18	Hex.Nut	3	M8	SUS304	
89	144-478-15	Stud Bolt	3	M12x111 (25/21)	SUS403	
90	023-253-14	Strainer Stand (1st)	1Set	KRS-150(170mm)	SPC+SGP	DISCONTINUED
	023-001-86	Strainer Stand	1Set	KRS-150(189mm)	SGP+SS	
91	142-165-10	Spring Washer	3	M12	SUS304	
92	141-007-10	Hex.Nut	3	M12	SUS304	
93	140-099-16	Hex.Bolt	6	M12x40	SUS304	
94	032-405-11	Hose Coupling	1	NPT-4(DL-15,PC196x6)	FC	
95	121-184-10	Packing	1	NKZ-6	NBR	*
	173-098-17	Packing O-Ring Set	1Set	(Marked by *)		
20	121-151-18	Packing (Air Release Valve)	1	P.C.80xd50	CR	*
22	121-343-19	Packing (Handle Bolt)	4	d9.5xd16x5t	NBR	*
32	122-250-11	O-Ring (M.Bracket/M.Frame)	1	230xd3.8	NBR	*
45	122-161-14	O-Ring (M.Bracket/Out.Cover)	1	G-300(299.3xd5.7)	NBR	*
47	122-161-14	O-Ring (Brg.Housing/Out.Cover)	1	G-300(299.3xd5.7)	NBR	*
49	122-250-11	O-Ring (Brg.Housing/M.Frame)	1	230xd3.8	NBR	*
59	121-247-12	Packing (Oil Plug)	1	d12.3xd18x2t	PE	*
63	122-120-11	O-Ring (Shaft Sleeve)	1	G-45(44.4xd3.1)	NBR	*
67	122-251-12	O-Ring (O.Casing/Brg.Housing)	1	205xd3.8	NBR	*
71	122-295-18	O-Ring (P.Casing/Brg.Housing)	1	310xd3.8	NBR	*
95	121-184-10	Packing (Hose Coupling)	1	NKZ-6	NBR	*
		Lubricant		Turbine Oil VG32 2,500ml		
	183-002-15	Impeller Puller (M6)	1	B No.2	FCD	

PARTS LIST		AGITATOR PUMP				6/1/2018
ITEM	PART No.	DESCRIPTION	QTY	SIZE	MATERIAL	NOTES

EXPLODED VIEW

GPN415-51/61



C-01137-2